

HIGH POWER FAN SINKS | ALUMINUM

SPECIFICATIONS

Overview

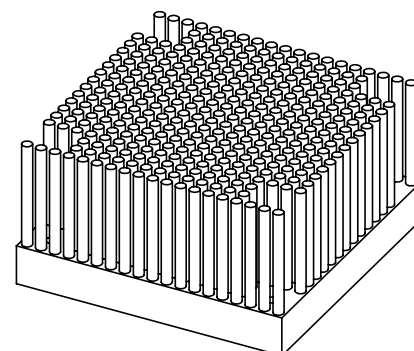
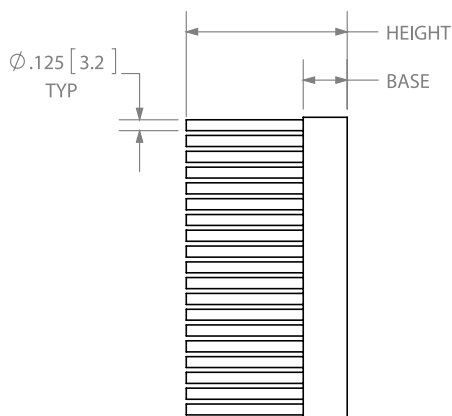
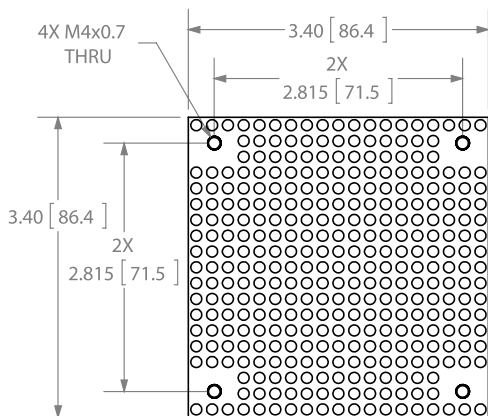
- Provides outstanding cooling power
- Optimal orientation (fan on top)
- Designed for 80mm fans
- Fans (optional)
- RoHS compliant

Technical

- Material: Pure Aluminum
- Mfg. process: Cold forging
- Plating options: Black/clear anodize, chemical conversion coating
- Base finish: Lapped
Flatness: Better than 0.001 in/in
Surface roughness: 16 RMS

Flexible Parameters

- Footprint (length and width)
- Height (pin length & base thickness)
- Single or multiple pins can be eliminated
- Comprehensive machining (holes, threads, clearances, etc.)



THE PIN FIN APPROACH: Round pin formations produce outstanding cooling power

P/N	Height in(mm)	Base in(mm)	Weight lb(g)	Thermal Resistance in °C/W		
				41 CFM*	84 CFM	142 CFM
3-343403RFA	0.30(7.6)	0.15(3.8)	0.23(106)	0.55	0.32	0.23
3-343405RFA	0.50(12.7)	0.15(3.8)	0.32(145)	0.35	0.21	0.153
3-343407RFA	0.70(17.8)	0.25(6.4)	0.48(216)	0.30	0.191	0.136
3-343410RFA	1.00(25.4)	0.25(6.4)	0.61(275)	0.23	0.151	0.106
3-343412RFA	1.20(30.5)	0.35(8.9)	0.76(346)	0.22	0.143	0.100
3-343415RFA	1.50(38.1)	0.50(12.7)	1.00(452)	0.198	0.133	0.092
3-343417RFA	1.70(43.2)	0.50(12.7)	1.08(491)	0.180	0.122	0.085
3-343420RFA	2.00(50.8)	0.50(12.7)	1.21(550)	0.160	0.110	0.076
3-343422RFA	2.20(55.9)	0.50(12.7)	1.30(589)	0.150	0.104	0.072
3-343425RFA	2.50(63.5)	0.50(12.7)	1.43(648)	0.137	0.096	0.066

Disclaimer: www.coolinnovations.com

*Rated CFM